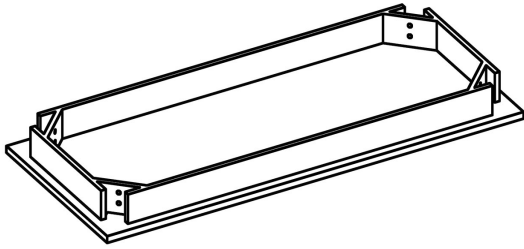


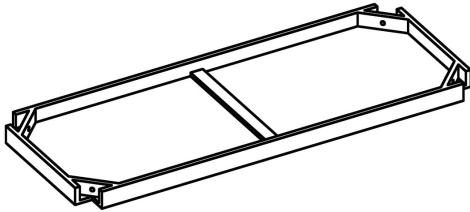
# ASSEMBLY INSTRUCTIONS

## SMRGUDC - Utility Display Cart

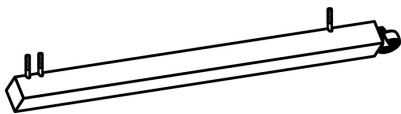
V20.11



Tabletop  
X1



Under Shelf  
X1

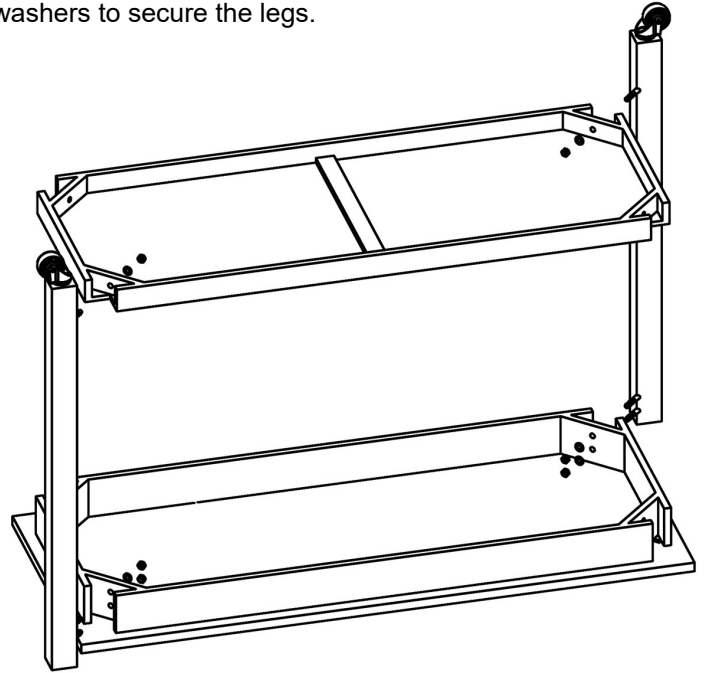


Leg X4

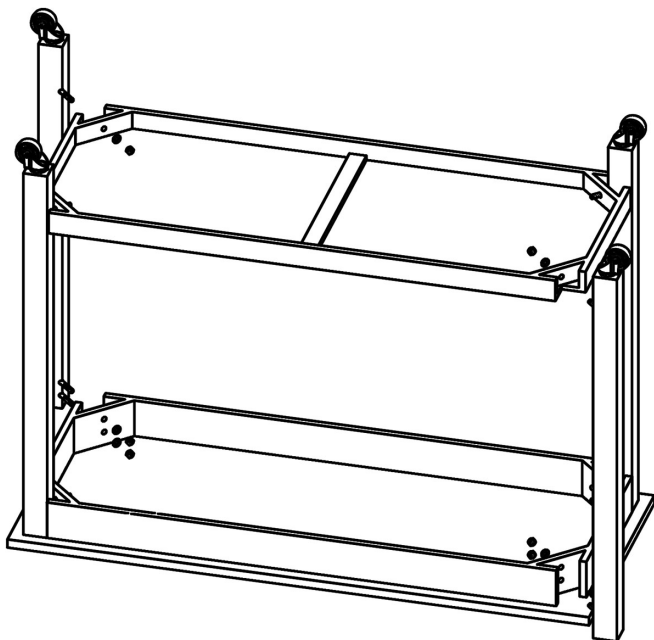


Nut & Washer  
X12

1. Place the Tabletop upside down on a flat smooth surface. Attach 1 leg to 1 corner of the tabletop as shown. Assemble another leg at the diagonal corner, and place the under shelf between these 2 legs. Insert screws into corresponding holes and use nuts and washers to secure the legs.



2. Attach the remaining legs to the cart the same way as in Step 1. Use nuts and washer to fix the legs.



3. Carefully flip the assembled cart to its standing position and the assembly is finished.



Scan QR code to visit  
the product page:

